



# RBGT-22

# Golf Trolley Battery

## LITHIUM IRON PHOSPHATE BATTERY

### ELECTRICAL SPECIFICATIONS

Nominal Voltage	12.8 V
Nominal Capacity	22 Ah
Energy	281.6 Wh
Resistance	40 mΩ
Efficiency	99%
Self Discharge	<3% per Month

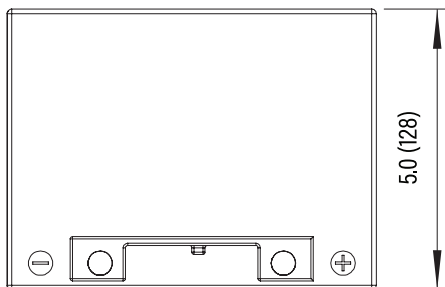
### DISCHARGE SPECIFICATIONS

Standard Discharge Current	16 A
Maximum Continuous Discharge Current	25 A
PCM Discharge Current Cut-Off	150 A (±20 A)
Recommended Low Voltage Disconnect	11 V
PCM Discharge Voltage Cut-Off	8 V
Reconnect Voltage	>8 V
Short Circuit Protection	200-500 μs

### TEMPERATURE SPECIFICATIONS

Discharge Temperature	-4 to 140 °F (-20 to 60 °C)
Charge Temperature	32 to 113 °F (0 to 45 °C)
Storage Temperature	-4 to 140 °F (-20 to 60 °C)
PCM High Temperature Cut-Off	149 °F (65 °C)

### DIMENSIONAL SPECIFICATIONS



### MECHANICAL SPECIFICATIONS

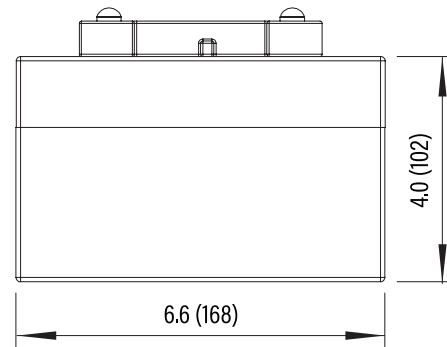
Dimensions (L x W x H)	6.6 x 5.0 x 4.0"
	168 x 128 x 102 mm
Weight	6.4 lbs (2.9 kg)
Terminal Type	T-Bar Connector
Cell Type	Cylindrical
Chemistry	LiFePO <sub>4</sub>

### CHARGE SPECIFICATIONS

Recommended Charge Current	≤5 A
Maximum Charge Current	5 A
PCM Charge Current Cut-Off	150 A (±20 A)
Recommended Charge Voltage	14.4 V
PCM Charge Voltage Cut-Off	15.2 V
Reconnect Voltage	14.4 V
Balancing Voltage	14.4 V

### COMPLIANCE SPECIFICATIONS

Certifications	CE (battery) UN38.3 (battery) UL1642 & IEC62133 (cells)
Shipping Classification	UN 3480, CLASS 9





## RBGT-22

## Golf Trolley Battery

### PERFORMANCE CHARACTERISTICS

